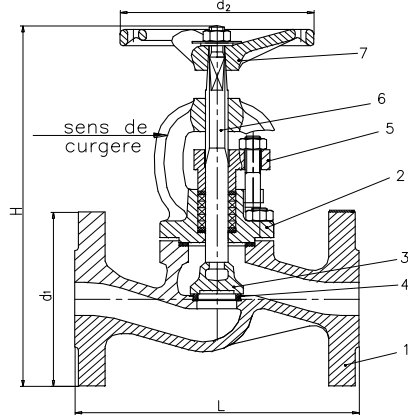
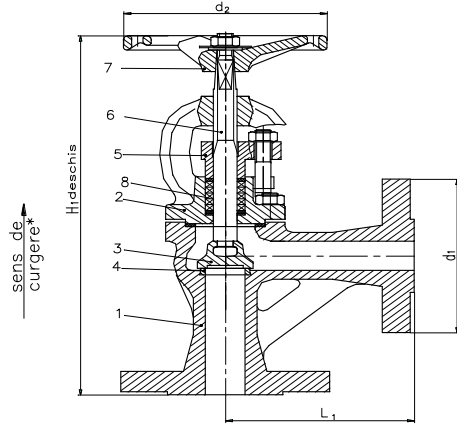


CD – CORP DREPT / STRAIGHT BODY



CC – CORP DE COLT / ANGLE BODY



POZ ITEM	REPER PART NAME	MATERIAL / MATERIAL	
		TIP TYPE	SIMBOL SYMBOL
1	Corp/ Body	fonta cenusie/ cast iron	EN-GJL-250
		fonta nodulara*/ ductile iron*	EN-GJS-500-7
2	Capac/ Cover	fonta cenusie / cast iron	EN-GJL-250
		fonta nodulara*/ ductile iron*	EN-GJS-500-7
3	Ventil / Disc		-
	-pentru / for DN ≤ 15	inox min.11,5%Cr min. 11.5% Cr stainless steel	-
		aliaj Cu / copper alloy	-
	-pentru / for DN ≥ 65	fonta cenusie / cast iron fonta nodulara* / ductile iron	EN-GJL-250 EN-GJS-500-7
4	Inele etansare corp-ventil Body-disc seat	inox min.11,5%Cr / min.11.5% Cr stainless steel	-
		aliaj Cu / copper alloy	-
5	Presetupa / Gland	fonta cenusie / cast iron	EN-GJL-250
		fonta nodulara*/ ductile iron	EN-GJS-500-7
6	Tija / Stem	inox min.11,5%Cr / min. 11.5% Cr stainless steel	-
		fonta cenusie / cast iron	EN-GJL-250
7	Roata manevra Handwheel	fonta nodulara* / ductile iron	EN-GJS-500-7
		fonta cenusie / cast iron	EN-GJL-250
8	Pachet etansare Packing	inele fara azbest asbestos - free rings	-
		Garnituri / Gaskets	placa fara azbest asbestos-free sheet
	Organe de asamblare / Bolting	otel carbon / carbon steel	-

CARACTERISTICI CONSTRUCTIVE / DESIGN CHARACTERISTICS:

- constructie / design: - DIN 3356-2; BS 5152;
- lungimi de constructie / overall length: - corp drept, conform / straight body EN 558-1-S1; ISO 5752-S1;
- corp de colt, conform / angle body EN 558-1-S8; ISO 5752-S8;
- flanse de legatura / connection flanges: -PN 16, conform/ In acc. EN 1092-2; ISO 7005-2; DIN2501;
- viteza maxima de curgere pentru lichide /maximum flow speed for liquids : - 4 m/s

PRESIUNE – TEMPERATURA / PRESSURE - TEMPERATURE, RATING

Presiunea maxima de lucru- PS [bar] Maximum working pressure – PS [bar]	PN16		
	16	12.8	9.6
Temperatura maxima de lucru [°C] Maximum working temperature [°C]	TS	120	200
Temperatura minima de lucru [°C] Minimum working temperature [°C]		-10	

*Pentru DN ≥ 200 sensul de curgere este invers./ * For DN ≥ 200 the flow direction is reversed

(dimensiuni in mm / dimensions in mm)

DN	L	L 1	H	H1	PN16		Masa neta / Net weight ≈ (kg)		ξ Coeficient de pierdere de sarcina Head loss factor	
					d1	d2	PN 16		CD	CC
							CD	CC		
15	130	90	176	176	95	65	3.5	3.6	4.6	2
20	150	95	176	176	105	75	4.2	4.2	4.6	
25	160	100	187	187	115	85	4.7	5	5	2.2
32	180	105	198	198	140	100	6.9	6.9		
40	200	115	245	225	150	110	9	9	4	1.8
50	230	125	260	235	165	140	12	12		
65	290	145	295	260	185	160	19.4	18	4.5	2
80	310	155	345	310	200	200	23	22		
100	350	175	385	340	220	220	33.3	29	4.7	2
125	400	200	450	372	250	250	50	46		
150	480	225	548	434	285	315	77	72	5	2.2
200*	600	275	650	520	340*	340*	129	125		
250*	730	325	770	685	405*	400	230	200	5.2	2.2
300*	850	375	886	786	460*	460*	340	310		

*La cerere se pot oferi cu flanse gaurite PN10 / On request, the flanges may be drilled PN 10

Pentru confirmare va rugam folositi fisa tehnica contractuala / For confirmation, please use the technical sheet of agreement FTC4