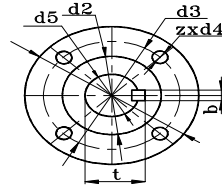
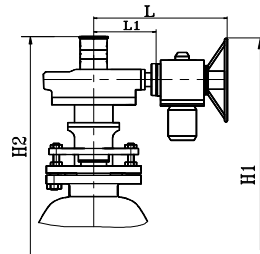
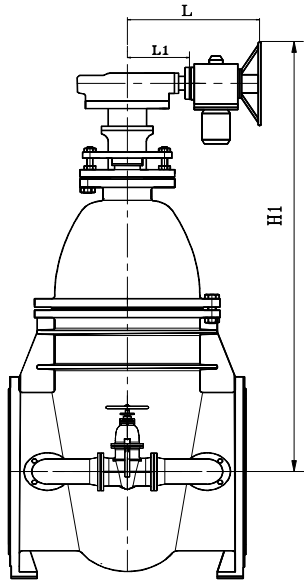


TN – tija neascendentă
NRS – non rising stem

TA – tija ascendentă
OS&Y – rising stem



Dimensiuni cuplare actionare electrica
Connecting sizes of electric actuator

ACTIONARE ELECTRICA / ELECTRIC OPERATION-
echipare standard cu mecanism NOTOR in variantele/
Standard equipped with NOTOR actuator in the following
variants:

- NORMAL – cu cofret de forta si comanda
NORMAL - with electric switch box;
- ANTIEX Exd II BT 4 – fara cofret / ANTIEX
Exd II BT 4 – without electric switch box;

(dimensiuni in mm / dimensions in mm)

| DN | H1 | | H2 | L | L1 | D | Cursa x pasul Stroke x pitch | CARACTERISTICI NOTOR NOTOR'S CHARACTERISTICS | | | | Durata cursei Stroke duration (min.) | Masa totala Total weight ≈(kg) | |
|-----|----------|-----------|------|----------|----------------|-----|---------------------------------|---|------------------------------------|--|----------------------|---|-----------------------------------|-----------|
| | TN / NRS | TA / OS&Y | | | | | | Tip Type | Moment maxim Max. torque (daNm) | Turatie iesire Output speed (rot/min) | Putere Power (kW) | | TN / NRS | TA / OS&Y |
| 400 | 1322 | 1437 | 1862 | 513 | 165 | 400 | 420 x 7 | N1AS CR5 | 14 | 28 | 0.55 | 9 | 580 | 600 |
| 500 | 1468 | 1917 | 2366 | 516 | 168 | | 520 x 8 | N 2 AS | 25 | 28 | 1.1 | 10 | 996 | 1091 |
| 600 | 1598 | 2237 | 2862 | | | | 620 x 9 | CR10 | | | | 10 | 1410 | 1485 |
| 700 | 1785 | 2415 | 3125 | 730 x 10 | N 2 AS CR20 | | 15 | 2135 | | | | 2205 | | |
| 800 | 2085 | 2870 | 3685 | 830 x 10 | | | 17 | 2805 | | | | 2885 | | |
| 900 | 2200 | 2985 | 3900 | 930 x 10 | | | 19 | 3135 | 3255 | | | | | |

NOTA : constructie si materiale conform fisa RSO-16 R

NOTE : design and materials according to the technical sheet RSO-16 R

CERINTE PENTRU MECANISMUL ELECTRIC DE ACTIONARE / REQUIREMENTS FOR THE ELECTRIC ACTUATOR:

| DN | 400 | 500 | 600 | 700 | 800 | 900 |
|---|--------|--------|-----|-----|-----|-----|
| Nr. rotatii / cursa Rotations/stroke | 240 | 264 | 280 | 411 | 468 | 524 |
| Moment min. actionare (daNm) Min. driving torque (daNm) | 8 | 10 | 19 | 20 | 21 | |
| Flanse prindere mec.ISO 5210 Actuator connecting flanges ISO5210 | F10-B1 | F14-B1 | | | | |
| d1 | 125 | 175 | | | | |
| d2 | 70 | 100 | | | | |
| d3 | 102 | 140 | | | | |
| z x d4 | 4 x 12 | 4 x 18 | | | | |
| d5 | 42 | 60 | | | | |
| t | 45.3 | 64.4 | | | | |
| b | 12 | 18 | | | | |

Pentru confirmare va rugam folositi fisa tehnica contractuala / For confirmation, please use the technical sheet of agreement (FTC1 or FTC2)