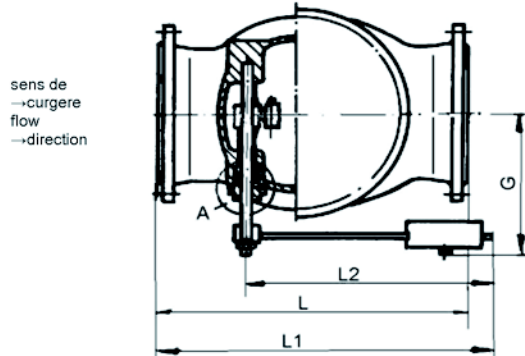
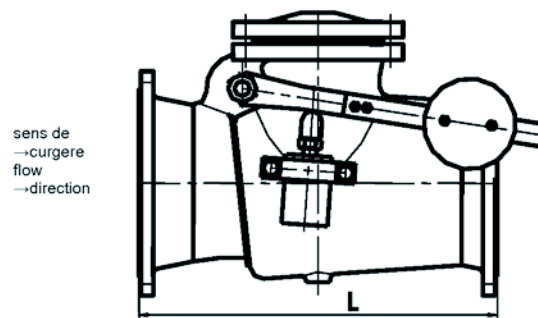


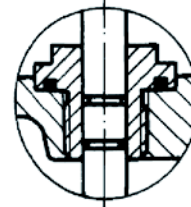
RRC ctg – varianta cu contragreutate
RRC ctg – design with counterweight



RRC ctg si AH – varianta cu contragreutate si amortizor hidraulic
montaj pe conducte orizontale
RRC ctg si AH – design with counterweight and hydraulic damper
Mounted on horizontal pipelines



A
Etansare ax cu inele "O"
"O"-rings shaft sealing



(dimensiuni in mm / dimensions in mm)

DN	L	L1	L2	G	Masa neta Net weight ≈ (kg)				ξ Coeficient de pierdere de sarcina Head loss	
					RRC ctg		RRC ctg si / and AH		RRC ctg	RRC ctg si / and AH
					PN10	PN16	PN10	PN16		
50	200	275	210	150	13.5	-	-	7.5	-	
65	240	321	240	175	16	-	-	8	-	
80	260	353	270	185	21	-	-	8.2	-	
100	300	395	300	210	27	-	-	8.5	-	
125	350	460	350	225	42	-	-	9	-	
150	400	472		235	51.5	56	11	12		
200	500	560	400	290	84	89	14	15		
250	600	680	500	335	125	129	17	18		
300	700	802	600	385	213	214	220	221	19	
350	800	888	700	435	333	335	340	342	21	
400	900	1035	800	480	454	456	461	463	23	
500	1100	953	725	498	-	-	774	778		
600	1300	1003		548	-	-	1098	1102		
700	1500	1357	900	825	-	-	1780	1800	24	
800	1700	1461		880	-	-	2305	2335		

- NOTA : - montajul in instalatie va respecta sensul unic de curgere marcat pe corp;
- constructie si materiale conform fisa RRC-10,16;
- robinetele cu DN>500 se livreaza numai in varianta cu contragreutate si amortizor;
- varianta standard se executa cu contragreutatea montata pe partea dreapta fata de sensul de curgere al fluidului;
- NOTE: - mounting on site shall observe the unique flow direction marked with arrow on body;
- design and materials are as in the RRC-10,16 technical sheet;
- valves of DN'500 are available only in the counterweight and damper design;
- in standard design the counterweight is mounted on the right side of the fluid flow direction;