

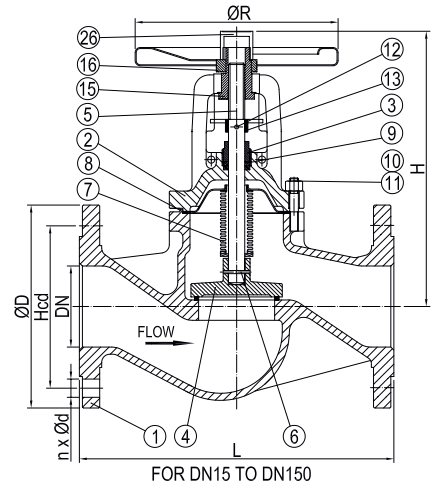
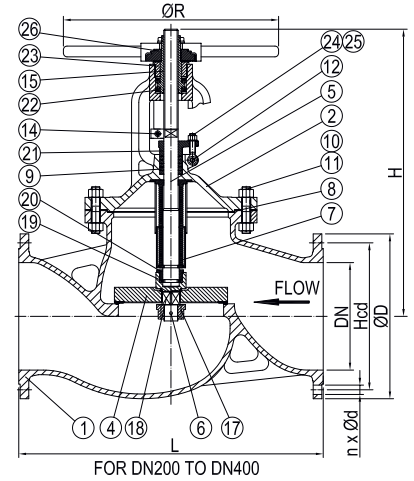
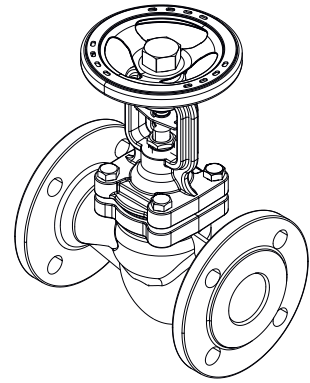
DESCRIPTION: Straight type, cast AISI 316 equivalent body. Metal seated screw down stop valve with bellow sealed non-rising stem, bolted bonnet. Raised face flanges.

APPLICATION: Start/stop and throttling of hot medias: Water, steam, oils and acidic media etc. Also suitable for vacuum applications.

VARIATIONS: Available as SDNR Valve.
Available with Regulating disc.
Angeled type available.

STANDARD & DESIGN:

Design Code: EN13709
 Inspection Std.: EN12266
 End Std.: EN1092-B1
 Face to Face Std.: EN558-1
 Flanges drilled: PN40(DN15-DN400)
 Pressure rating: PN40(DN15-DN400)
 Bellows: MSS-SP117



No	Part	Material	Code
1	Body	Stainless Steel	1.4408
2	Bonnet	Stainless Steel	1.4408
3	Gland	Stainless Steel	-
4	Disc	Stainless Steel	1.4401
5	Stem	Stainless Steel	1.4401
6	Pin	Stainless Steel	1.4401
7	Bellows	Stainless Steel	SS316L
8	Gasket	Graphite	-
9	Packing	Graphite	-
10	Bolt	Steel	A193 B8M
11	Nut	Steel	A194 8M
12	Pin	Stainless Steel	1.4401
13	Guide Piece	Stainless Steel	1.4401
14	Bolt	Steel	A193 B8M
15	Stem Nut	Nodular Cast Iron	GGG 40.3
16	Nut	Stainless Steel	-
17	Screw	Stainless Steel	1.4401
18	Balance Disc	Stainless Steel	1.4401
19	Split Ring	Stainless Steel	1.4401
20	Disc Cover	Stainless Steel	1.4401
21	Packing Gland	Stainless Steel	-
22	Bearing	Alloy Steel	
23	Bearing Cover	Carbon Steel	
24	Eye Bolt	Steel	A193 B8M
25	Nut	Steel	A194 8M
26	Handwheel	Carbon Steel	-

DN	n x ød	Hcd	øD	L	H	øR	Kg
15	4x14	65	95	130	200	120	4.0
20	4x14	75	105	150	202	140	4.6
25	4x14	85	115	160	205	140	5.5
32	4x18	100	140	180	208	140	7.5
40	4x18	110	150	200	230	160	9.0
50	4x18	125	165	230	235	160	11.1
65	8x18	145	185	290	245	180	17.9
80	8x18	160	200	310	267	200	24.2
100	8x22	190	235	350	350	250	37.0
125	8x26	220	270	400	380	250	59.8
150	8x26	250	300	480	410	350	80.2
200	12x30	320	375	600	550	500	174.0
250	12x33	385	450	730	730	500	267.0
300	16x33	450	515	850	800	500	378.0
350	16x36	510	580	980	950	600	700.0
400	16x39	585	660	1100	1030	600	1020.0