

**DESCRIPTION:** Two piece, full bore, AISI 316 body ball valve with AISI 316 ball and PTFE seat ring. Female BSPT alternatively NPT threaded ends.

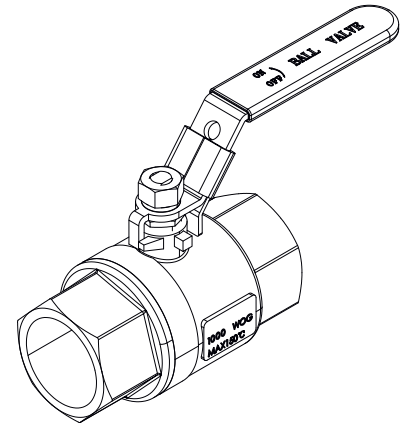
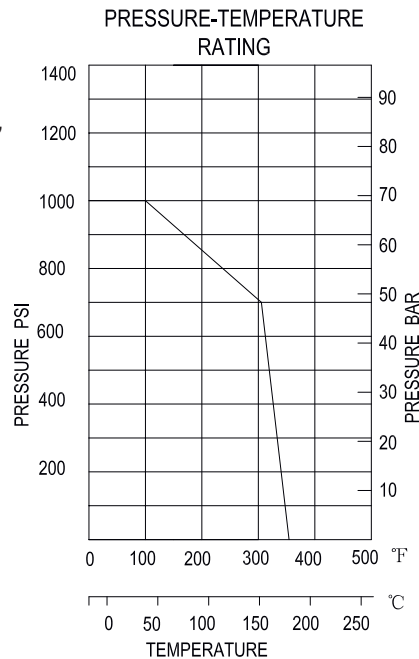
**APPLICATION:** Start/stop flow of: Compressed air, steam, gases and acidic media etc. Typically also used for drain and vent purposes.

**STANDARD & DESIGN:**

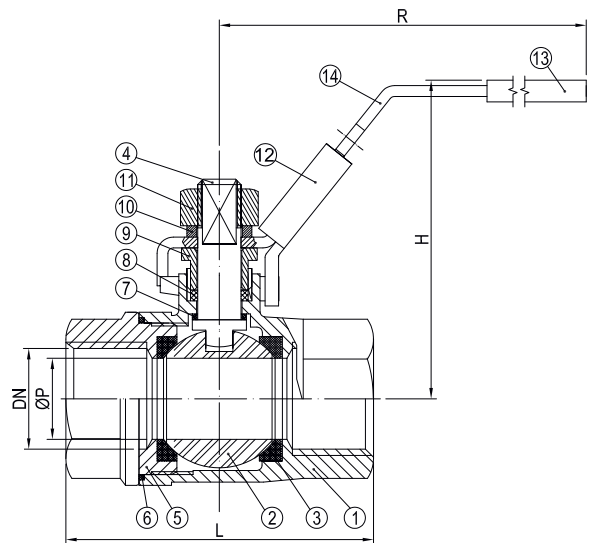
Design Code: BS EN 12516-2  
 Inspection Std.: API 598  
 End Std.: DIN2999  
 Pressure rating: 1000 WOG

**VARIATIONS:**

Other dimensions and materials on request.



No	Part	Material	Code
1	Body	Stainless Steel	CF8M
2	Ball	Stainless Steel	CF8M
3	Ball Seat	PTFE	-
4	Stem	Stainless Steel	316
5	Cap	Stainless Steel	CF8M
6	Joint Gasket	PTFE	-
7	Thrust Washer	PTFE	-
8	Stem Packing	PTFE	-
9	Gland Nut	Stainless Steel	304
10	Spring Washer	Stainless Steel	304
11	Stem Nut	Stainless Steel	304
12	Lock Device	Stainless Steel	304
13	Handle Cover	Plastic	-
14	Handle	Stainless Steel	304



DN	Inch	L	H	R	øP	Kg
8	1/4	54	54	110	9.2	0.2
10	3/8	54	55	110	12.8	0.2
15	1/2	57	58	115	15	0.3
20	3/4	68	61	115	20	0.5
25	1	80	77	128	25	0.8
32	1 1/4	91	81	128	32	1.0
40	1 1/2	103	90	155	38	1.5
50	2	124	108	155	50	2.7
65	2 1/2	160	132	230	65	4.9
80	3	185	145	230	80	7.2
100	4	224.5	185	335	100	12.7