

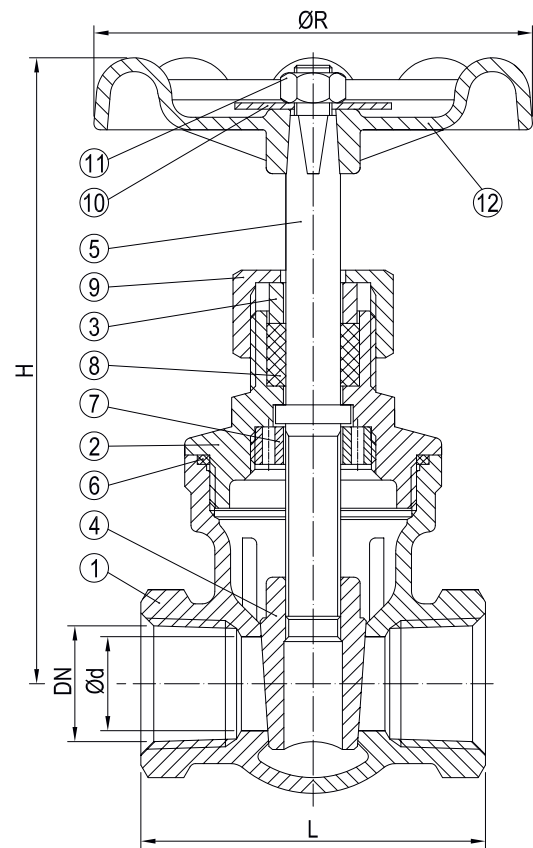
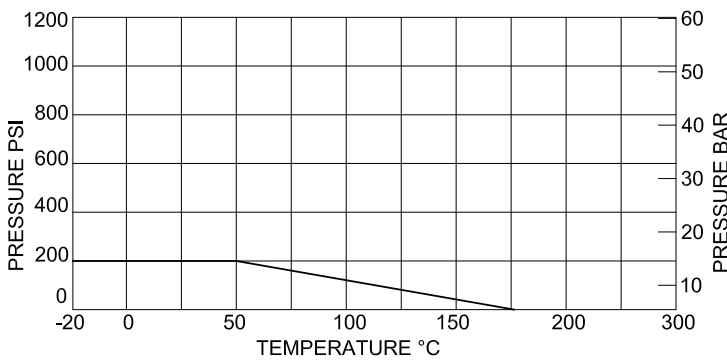
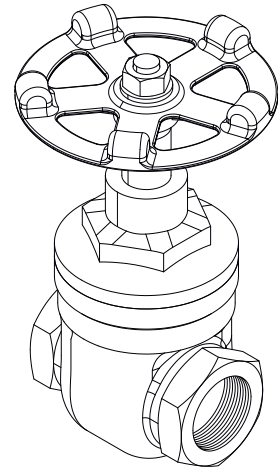
**DESCRIPTION:** AISI 316 body gate valve, AISI 316 wedge.  
Non rising stem. BSPP female thread.

**APPLICATION:** Start/stop flow with minimized pressure drop  
for air/gases, water, oils, acidic liquids etc.

**STANDARD & DESIGN:**

Design Code: -  
 Inspection Std.: -  
 End Std.: ISO 228 CLASS A  
 Face to Face Std.: -  
 Pressure rating: 200WOG(DN15-DN80)

**VARIATIONS:** Other dimensions and materials on request.



No	Part	Material	Code
1	Body	Stainless Steel	CF8M
2	Bonnet	Stainless Steel	CF8M
3	Gland	Stainless Steel	SUS304
4	Wedge	Stainless Steel	CF8M
5	Stem	Stainless Steel	SUS316
6	Bonnet Gasket	PTFE	-
7	Whorl Gasket	Stainless Steel	SUS304
8	Packing	PTFE	-
9	Cap Nut	Stainless Steel	CF8M
10	Nameplate	Aluminium	-
11	Nut	Stainless Steel	SUS304
12	Handwheel	Aluminium	-

DN	Inch	L	H	ød	øR	Kg
15	1/2	55	101	15	70	0.4
20	3/4	60	108	20	70	0.5
25	1	65	115	25	80	0.7
32	1 1/4	75	132	32	80	1.0
40	1 1/2	85	149	38	90	1.5
50	2	95	175	50	100	2.1
65	2 1/2	116	213	65	140	5.6
80	3	130	241	80	140	8.6